



EASY FLY PRO

INTERNATIONALLY PATENTED MACHINE

FACE TRIMMING OF PERFECT BOUND AND THREAD SEWN SOFT COVER BOOKS WITH FLAPS BOTH FOR THE BOOKBINDING AND THE PRINT ON DEMAND LINES



8 page cover



8 page cover outside flaps



12 page cover



Various configuration 6 page cover



- **Easy and quick format change**

Only approximately *fifteen seconds* are required for changing size automatically by simply keying in the book dimensions (length, width and thickness) via the touch screen.

Smaller in dimensions, this face trimming unit is the challenge for the digital market becoming thus the ideal solution for the BOOK ON DEMAND

- **Tungsten Carbide knife cuts against plastic stick**

Perfect trim quality thanks to innovative technology used.

- **No marking on the cover**

EasyFly Pro does not use vacuum or suckers, but accomplishes the opening by working in the trim away area of the book, thus avoiding any damage whatsoever on the cover.

- **Long flaps? no problem**

EasyFly Pro can handle long or multiple fold flaps without any problem.

- **Capability of personalizing the book**

Opening only the bottom or the top cover, or, if required just a single cover is achieved by an easy setting.

- **No change of traditional layouts**

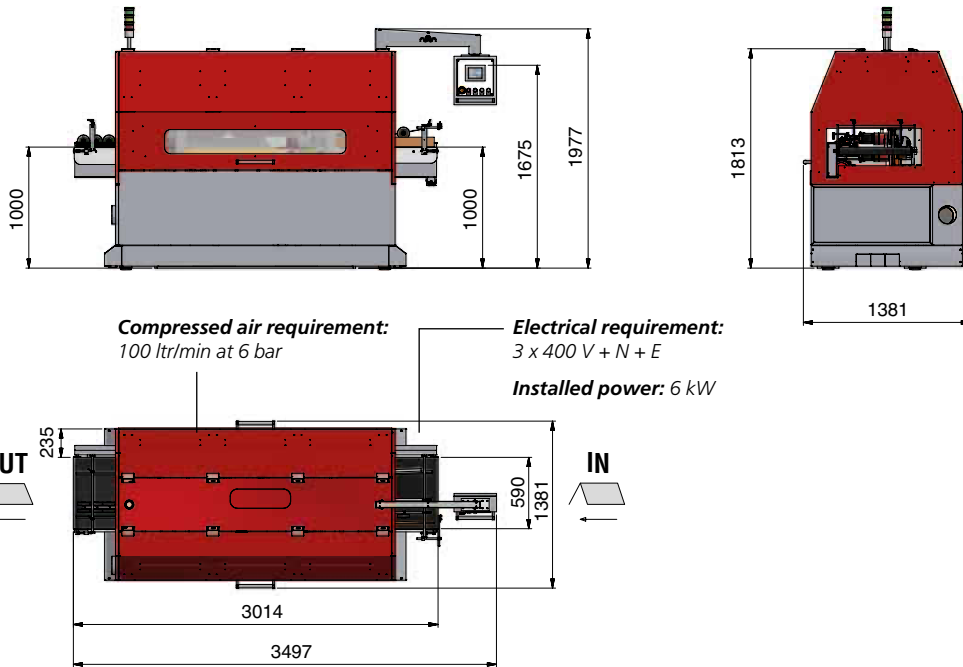
Easy Fly Pro can be positioned before or, if required, after the three knife trimmer by just replacing a piece of conveyor, without changing the layout of the existing line.

- **Unit used as through-pass**

By simply pushing a button EasyFly Pro is transformed into a regular conveyor belt, no bypass or similar equipment needed.



◀ Dimensions

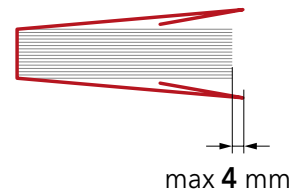
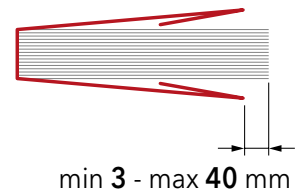


EASY FLY PRO

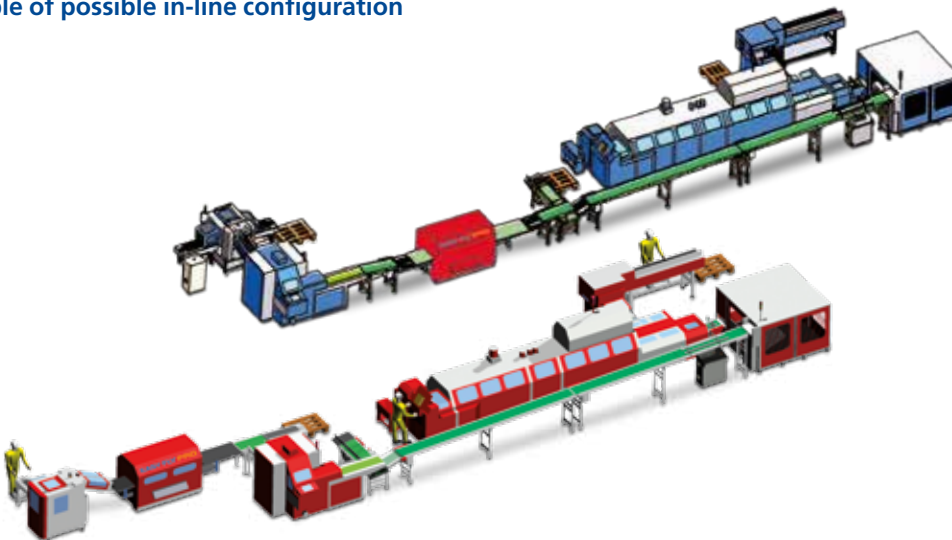
Spine length of book to be handled	max 520 mm	min 100 mm
Book width trimmed	max 350 mm	min 100 mm
Book thickness	max 60 mm	min 3 mm
Width of trim waste	max 40 mm	min 3 mm
Max mechanical	5.500 cycles/h	
<i>(The actual speed and the net result depend upon format and kind of product, material quality, skill of operators and the general condition of operation)</i>		
Compressed air requirement	100 ltr/min at 6 bar	
Installed power	6 kW	
Supply Voltage	400 V / 3 ph / 50 Hz	
Machine dimensions (LxWxH)	3.014 x 1.381 x 1.813 mm	
Weight	2.440 kg	

Technical data subject to change without notice

◀ Technical data



Example of possible in-line configuration



◀ Layout



SCS Automaberg Srl
 Via Maestri del Lavoro, 33
 24060 Brusaporto (Bg) Italy
 Tel: +39 035 682480
 Fax: +39 035 686029
 info@scsautomaberg.com
 www.scsautomaberg.com

